



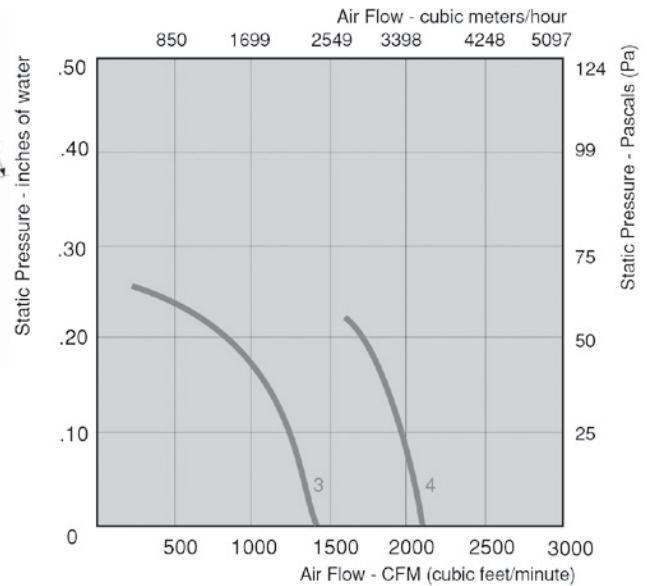
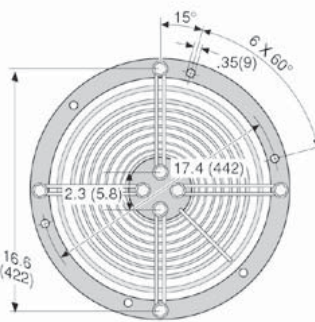
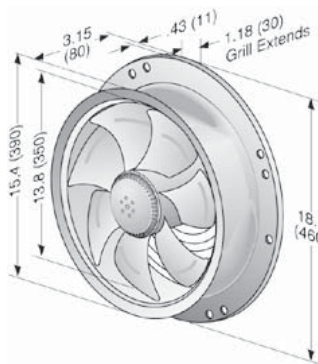
# W4E350A Series

Axial

## Ø 350mm S-Range

- ebm-papst offers a wide range of AC axial fans to optimally fit any application.
- All metal construction, shallow profile, round venturi plate. Reduced noise and highly efficient compared to other fans.
- Mounting plate with 9 mm holes. Ready to install.
- Discharge over struts: Dir. of rotation is CCW looking at rotor.
- Inlet over struts: Dir. of rotation is CW looking at rotor.
- Maintenance-free ball bearings..
- UL, CSA, VDE approvals on some models, please contact application engineering.

Part Number	Curve	CFM @ 0	VAC	Hertz	Power (W)	dBA	Max Amb. Temp C	Bearing Type	Features	Capacitor (µF)	Grill Position	Wgt. (lbs)
W6E350-CP32-70	3	1450	115	50/60	85	58	55	Ball	Leads	8	Dischg	9.00
W6E350-CP32-71	3	1450	115	50/60	85	58	55	Ball	Leads	8	Inlet	9.00
W4E350-CP18-70	4	2080	115	50/60	190	67	40	Ball	Leads	16	Dischg	9.00
W4E350-CP18-71	4	2080	115	50/60	190	67	40	Ball	Leads	16	Inlet	9.00
W6E350-CP24-70	3	1450	230	50/60	85	58	55	Ball	Leads	2	Dischg	9.00
W6E350-CP24-71	3	1450	230	50/60	85	58	55	Ball	Leads	2	Inlet	9.00
W4E350-CP06-70	4	2080	230	50/60	190	67	40	Ball	Leads	4	Dischg	9.00
W4E350-CP06-71	4	2080	230	50/60	190	67	40	Ball	Leads	4	Inlet	9.00



e-mail: [sales@us.ebmpapst.com](mailto:sales@us.ebmpapst.com) · TEL: 860-674-1515 · FAX: 860-674-8536

ebm-papst Inc., 100 Hyde Road, Farmington, CT 06034 USA

ebm-papst Inc., 2004 © ebm-papst Inc. reserves the right to change any specifications or data without notice